

## Optional accessories

### Phoropter support



- » VT-60 mechanical lock phoropter arm
- » Available in light grey



- » VT-61 counterbalance phoropter arm
- » Available in light grey

### Lamp and projector support



- » Dimmable halogen overhead lamp
- » Available in light grey



- » Projector support
- » Available in light grey

### Optional furniture



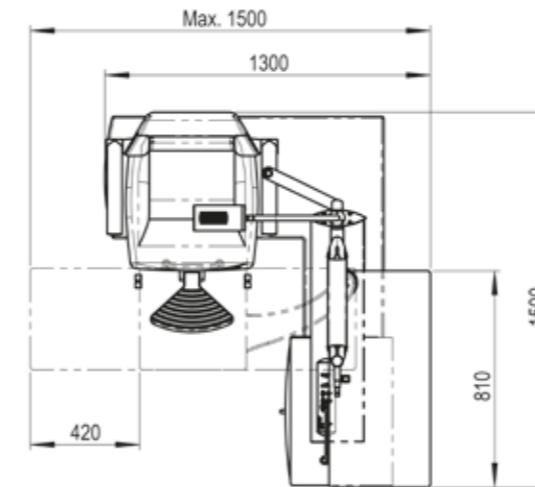
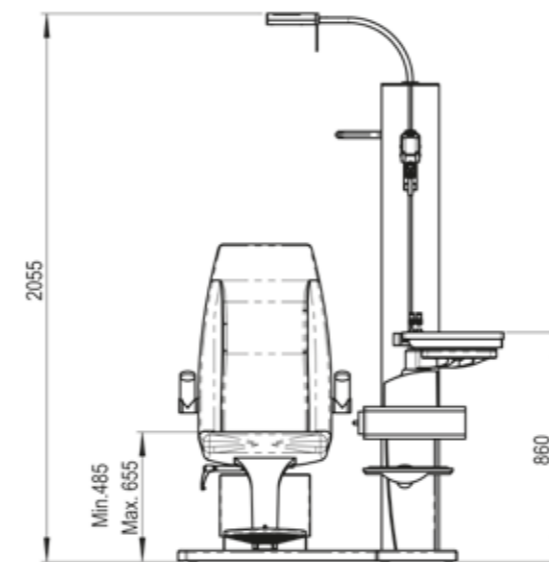
- » IS-600N trial lens drawer
- » Available in light grey and blue
- » Available in two sizes



- » IS-600N SPS cabinet to accommodate the CV-5000 power supply
- » Available in light grey and blue

## Specifications

Power	220-240 V / 50-60 Hz
Maximum consumption	1000 VA
Electrical classification	Class 1 B
Electrical protection class	IP21
Consumption of first tabletop instrument (SL)	3-12V / 5A
Consumption of second tabletop instrument (SL)	3-12V / 5A
Overhead lamp output	0-240V / Max 100W
Net weight IS-600N + OC-63 chair	160 kg
Maximum overload of instruments in the tabletop	20 kg + 20 kg
Trial lens drawer inside dimensions	W450mm x D325mm x H70mm / W560mm x D325mm x H70mm



**IMPORTANT** Subject to change in design and/or specifications without advanced notice. In order to obtain the best results with this instrument, please be sure to review all user instructions prior to operation.

**Topcon Europe Medical B.V.**  
Essebaan 11, 2908 LJ Capelle a/d IJssel, P.O. Box 145,  
2900 AC Capelle a/d IJssel, The Netherlands  
T: +31-(0)10-4585077; F: +31-(0)10-4585045  
medical@topcon.eu; www.topcon-medical.eu

**Topcon España S.A.**  
Frederic Mompou, 4,  
08960 Sant Just Desvern; Barcelona, Spain  
T: +34-93-4734057; F: +34-93-4733932  
medica@topcon.es; www.topcon.es

**Topcon Deutschland Medical GmbH**  
Hanns-Martin-Schleyer Strasse 41,  
D-47877 Willich, Germany  
T: (+49) 2154-885-0; F: (+49) 2154-885-177  
info@topcon-medical.de; www.topcon-medical.de

**Topcon Ireland**  
Unit 276, Blanchardstown; Corporate Park 2  
Ballycoolin; Dublin 15, Ireland  
T: +353-18975900; F: +353-18293915  
medical@topcon.ie; www.topcon.ie

**Topcon Danmark**  
Præstemarksvej 25, 4000 Roskilde, Danmark  
T: +45-46-327500; F: +45-46-327555  
info@topcon.dk; www.topcon.dk

**Topcon Italy**  
Viale dell'Industria 60,  
20037 Paderno Dugnano, (MI) Italy  
T: +39-02-9866671; info@topcon.it;  
www.topcon.it

**Topcon Polska Sp. z o.o.**  
ul. Warszawska 25, 42-470 Siewierz; Poland  
T: +48-(0)32-670-50-45; F: +48-(0)32-671-34-05  
www.topcon-polska.pl

**Topcon (Great Britain) Ltd.**  
Topcon House; Kennet Side; Bone Lane, Newbury  
Berkshire RG14 5PX; United Kingdom  
T: +44-(0)1635-551120; F: +44-(0)1635-551170  
medical@topcon.co.uk; www.topcon.co.uk

**Topcon Scandinavia A.B.**  
Neogatan 2, P.O. Box 25, 43151 Mölndal, Sweden  
T: +46-(0)31-7109200; F: +46-(0)31-7109249  
medical@topcon.se; www.topcon.se

**Topcon France**  
BAT A1; 3 route de la révolte, 93206 Saint Denis Cedex  
T: +33-(0)1-49212323; F: +33-(0)1-49212324  
topcon@topcon.fr; www.topcon-medical.fr



Item code: S211991 / printed in Europe 02.16

# Ophthalmic Unit

## IS-600N



PERFORMANCE  
YOU CAN COUNT ON



**TOPCON EUROPE MEDICAL B.V.**  
Essebaan 11, 2908 LJ Capelle a/d IJssel, The Netherlands.  
Phone: +31-(0)10-4585077; Fax: +31-(0)10-4585045; E-mail: medical@topcon.eu; www.topcon-medical.eu

## Functional design



### Topcon IS-600N Instrument Stand is the economical solution for eye-care practice architecture.

- » Available in right or left version
- » Compact design
- » Dimming of room light
- » Dimming of slit lamp illumination
- » Safety stopper

The Instrument stand IS-600N is available in both right and left version in the colour light grey. The IS-600N can be completed with a dedicated trial lens drawer which is available in light grey and Topcon blue. The ophthalmic chair OC-63 is available in dark grey, blue and black, the OC-66 in dark grey and blue.

The IS-600N requires just a small installation space of 2.25 m<sup>2</sup> (1.50m x 1.50m), whilst offering the possibility to install two instruments on the rotatable sliding table top which can be raised with 70mm by using an optional spacer.

The dedicated phoropter arm VT-61 and projector support (both optional) allow mounting of a manual phoropter VT-10 or an automated phoropter CV-5000 and chart projector ACP-8. The (optional) halogen light ensures sufficient illumination.

### Main panel

Ease of operation is guaranteed by the intuitive layout of the control panel.



- ① Main switch ON/OFF for power supply.
- AUX - 1 Control ON/OFF for output AUX1, free of potential (mainly for the room lighting).
- ⏮ Chair upwards function.
- ⏭ Control ON/OFF projector.
- AUX - 2 Auxiliary output for instrument, AUX2, control ON/OFF free of potential.

- ⏮ Chair downwards function. A fast double-speed action automatically returns the chair to the median position.
- ⏭ Rheostat for halogen lamp (0-230V / 0-100 W), equipped with electronic soft-start system to protect the bulb.
- ⏭ Rheostat for tabletop instruments 0-12V / 0-60 W max. selected from 3/4.5/6/9/12 voltage transformer inside the unit base.

### Controller satellite support

The basic satellite support can accommodate the control unit of the Topcon CV-5000 refraction system such as the KB-50S. The rotatable tabletop allows the user to have the greatest flexibility. The basic satellite support is available in grey/silver. The advanced satellite support accommodates the KB-50S as well as the CV-5000 Power Supply to ensure easy access of the print-out. The advanced satellite support is available in the IS-600N color light grey.



### IS-600N color



IS-600N light grey

## IS-600N ophthalmic chair

### OC-63

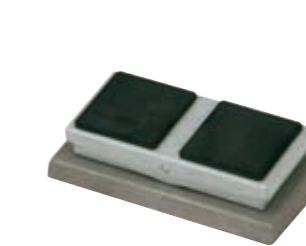
The OC-63 ophthalmic chair for IS-600N is available in black, grey and blue. The reclinable armrests offer a convenient use of the chair. The OC-63 can be operated from the main panel of the IS-600N or with an optional footswitch. The OC-63 can be completed with an optional foot rest.



Black

Grey

Blue



» OC-63 / OC-66 elevation foot switch



» OC-63 foot rest  
» Available in light grey and silver

### OC-66

The OC-66 is similar to the OC-63 but with an extra functionality of the 180° fully reclinable backrest. The OC-66 is equipped with a 100mm forward/backward horizontal mechanical movement, and a convenient foot rest as a standard. The OC-66 is available in grey and blue.

### Specifications

	OC-63	OC-66
Backrest	Fixed	180° fully reclinable
Armrest		Foldable
Foot rest	Optional	Standard
Foot switch		Optional
Color	Black, grey and blue	Grey and blue
Maximum load	175 Kg	170 Kg
Horizontal displacement	-	100 mm mechanical
Max / Min height seat level	615 mm / 445 mm	700 mm / 500 mm
Stroke	170 mm	200 mm
Rotation with manual brake	80°	60°
Max power consumption	700 VA	800 VA
Electric classification	Class I, Type B	
Net Weight	32 Kg	61 Kg
Overload: thermal protection	135°	
Motor stop 3 min. Approx. Duty cycle 1/9 min.		